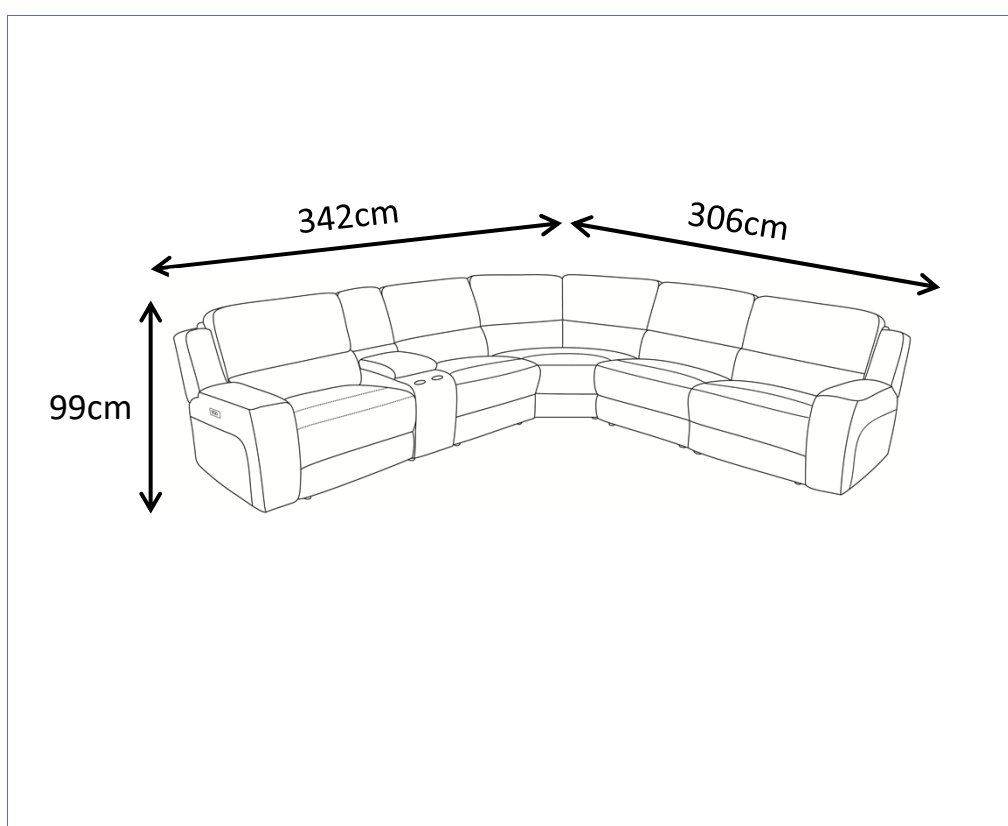




ASSEMBLY INSTRUCTION
VIVALDI CORNER LOUNGE
ITEM CODE 68999

Imported by Amart Furniture Pty Ltd, Qld, Brisbane Australia.
For any assistance with assembly or for missing parts please phone
Amart Furniture, Customer Service Free call 1800 351 084





Imported by Amart Furniture Pty Ltd, Qld, Brisbane Australia.
For any assistance with assembly or for missing parts please phone
Amart Furniture, Customer Service Free call 1800 351 084

PRE-ASSEMBLY PREPARATION

Before you start:

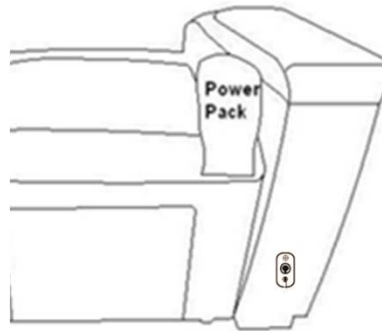
1. Choose a clean, level, spacious assembly area. Avoid hard surfaces that may damage the product
2. Take care when lifting. Product should be assembled as near as possible to the point of use
3. Ensure that you have all required contents for complete assembly
4. Always read the assembly instructions carefully before beginning assembly.
5. Keep all hardware parts and packaging out of reach of small children.
6. Do not over tighten the screws and bolts as this may damage the threads

	
ALLOW 30MINUTES	PEOPLE REQUIRED
ADDITIONAL TOOLS REQUIRED	

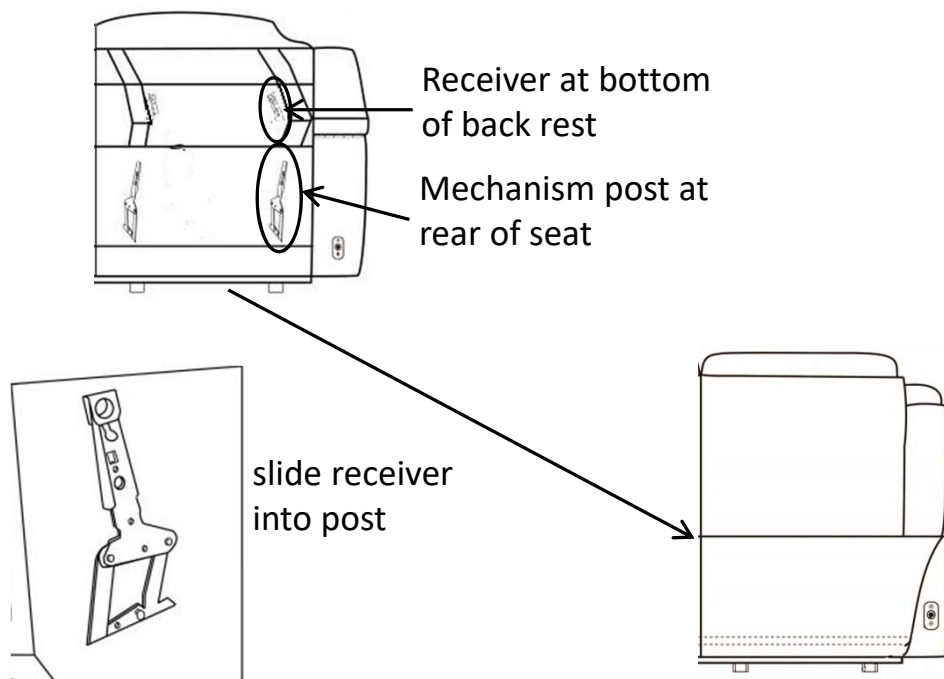
WARNING

- Do Not allow children to play on this mechanised furniture or operate the mechanism. Leg rest folds down on closing so that a child could possibly be injured. Always leave in an upright and closed position. Keep hands and feet clear of mechanism. Only the occupant should operate it.

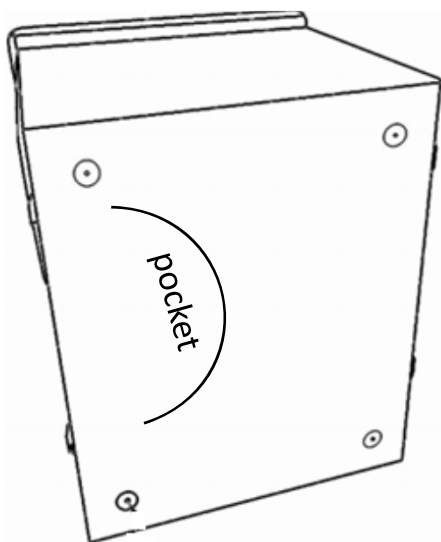
Step1: Locate power pack which is attached to the post at rear base of left hand facing electric seat.



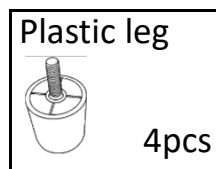
Step2: Slide back receivers into steel mechanism posts in the base of the left hand facing electric seat, and then press both sides of the back firmly into place to ensure the back automatically locks in place.



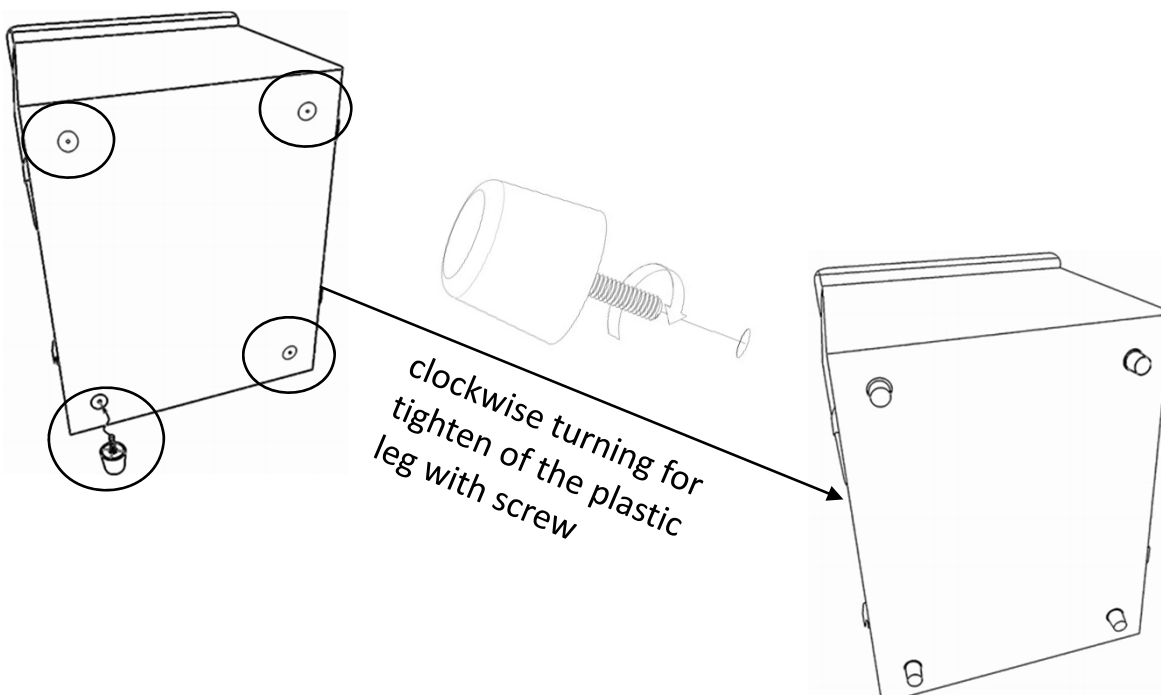
Step3: Locate package of sofa legs that is placed into zipper pocket at the bottom of each armless chair, and 4 legs for each chair.



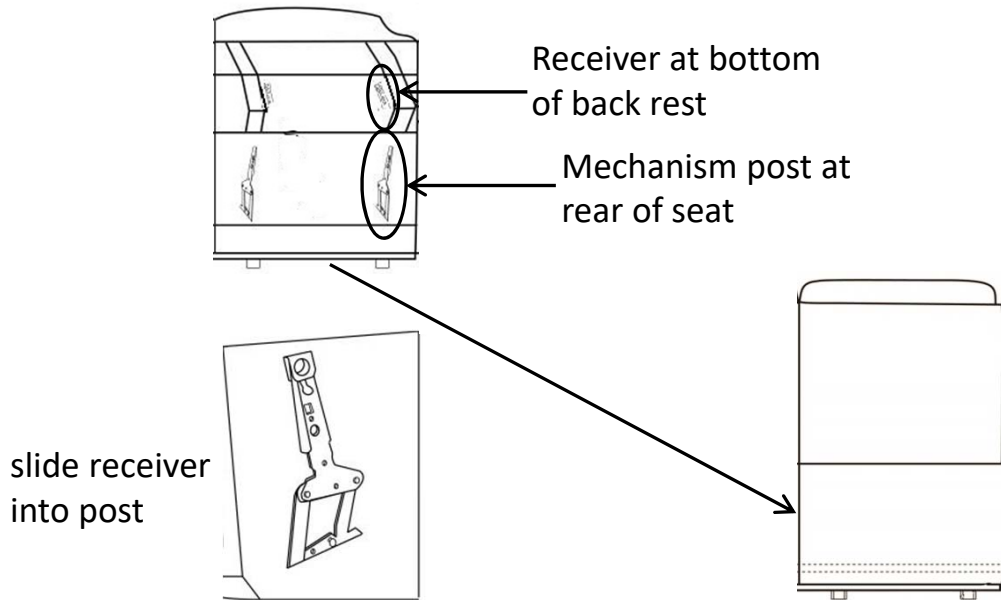
With 2 people carefully turn onto back on piece of cardboard or carpet to protect covering



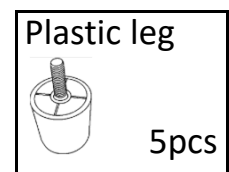
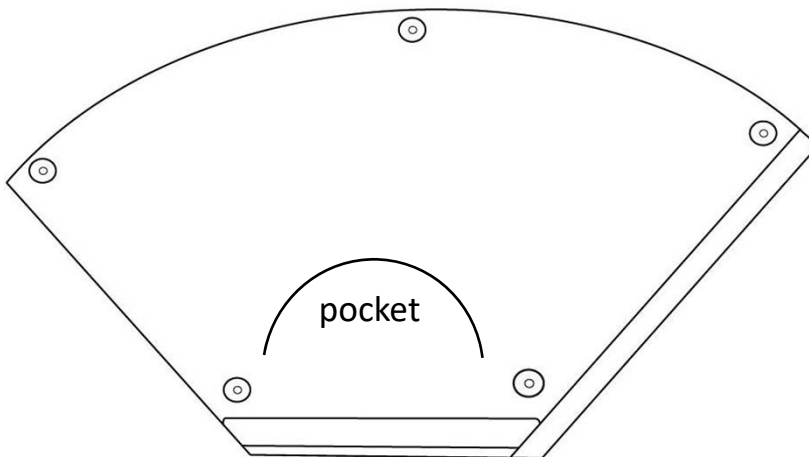
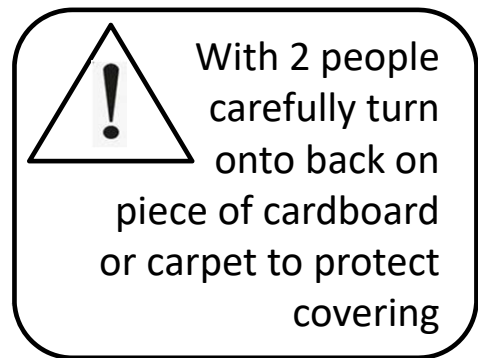
Step4: Take out the 4 plastic legs, then screw them into holes at the bottom of each armless chair.



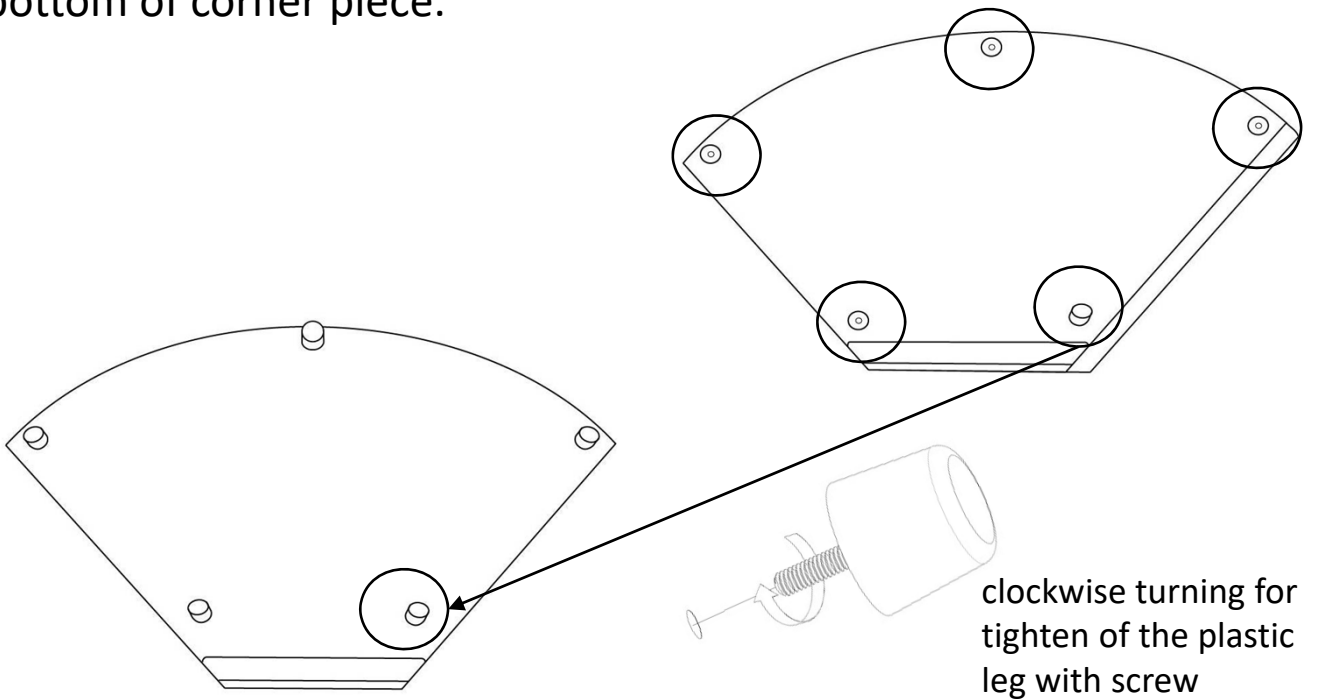
Step5: Slide back receivers into steel mechanism posts in the base of each armless chair, and then press both sides of the back firmly into place to ensure the back automatically locks in place.



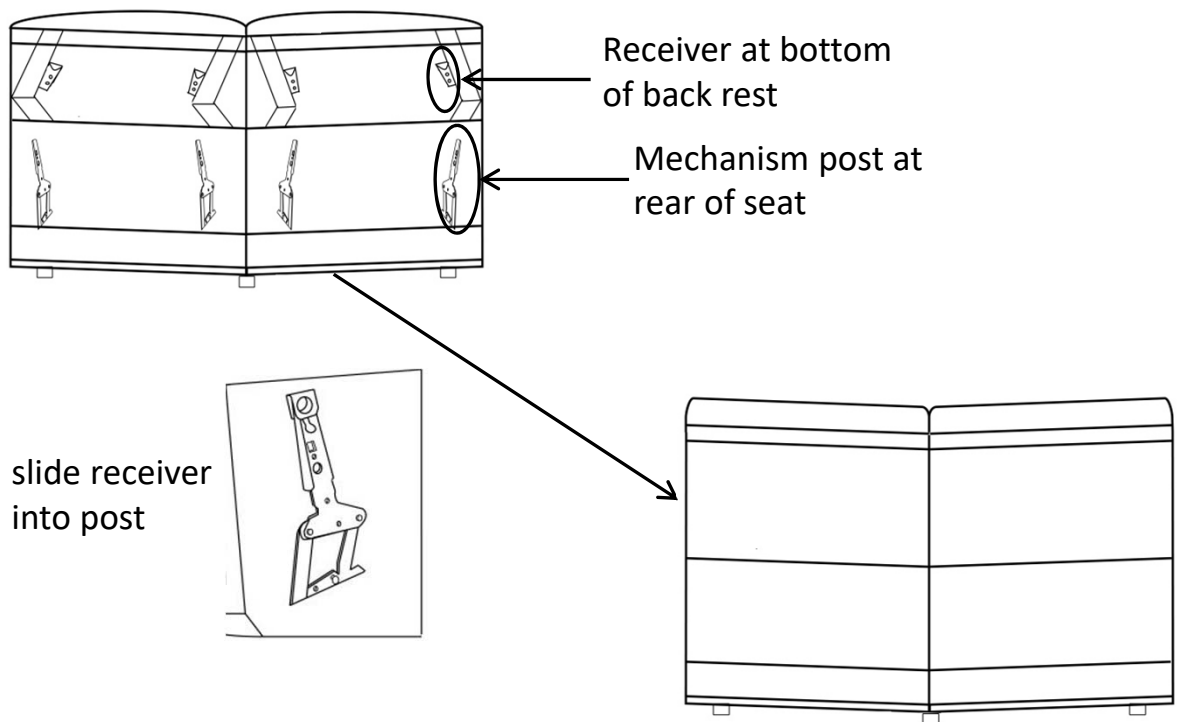
Step6: Locate package of sofa legs that is placed into zipper pocket at the bottom of corner piece.



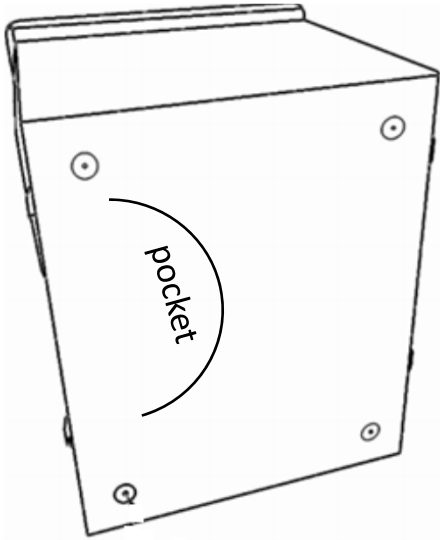
Step7: Take out the 5 plastic legs, then screw them into holes at the bottom of corner piece.



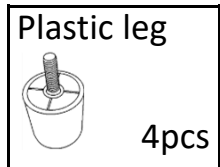
Step8: Slide back receivers into steel mechanism posts in the base of corner piece, and then press both sides of each back firmly into place to ensure each back automatically locks in place.



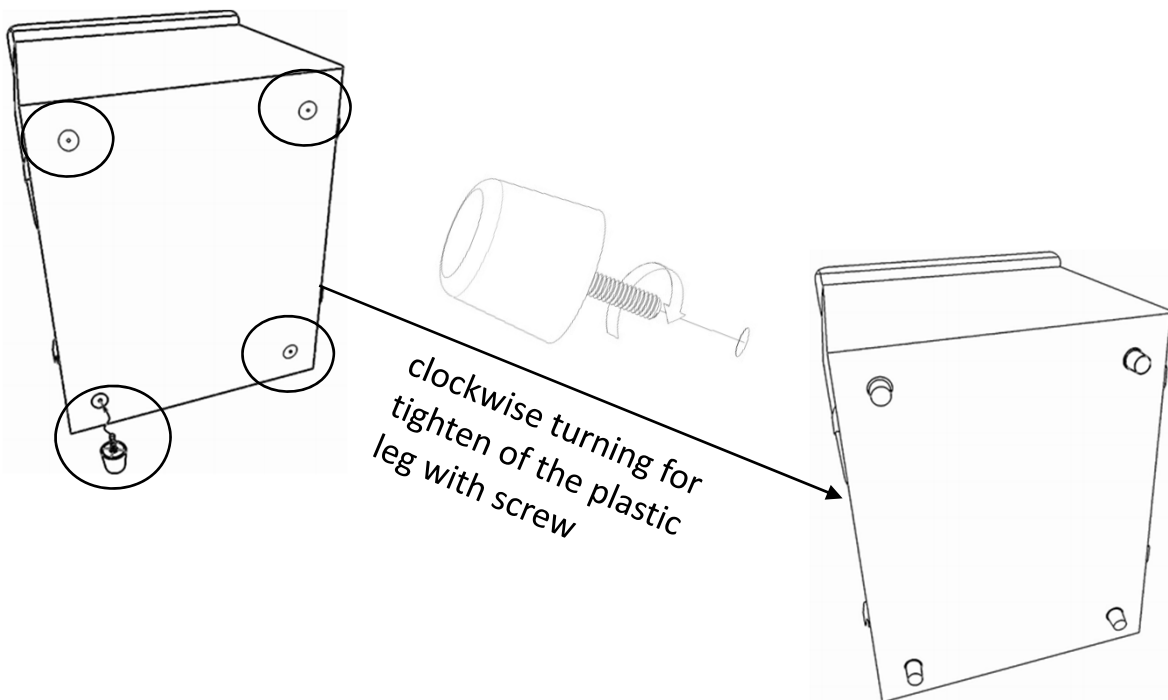
Step9: Locate package of sofa legs that is placed into zipper pocket at the bottom of console.



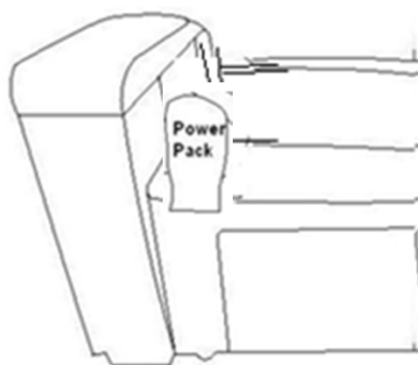
With 2 people carefully turn onto back on piece of cardboard or carpet to protect covering



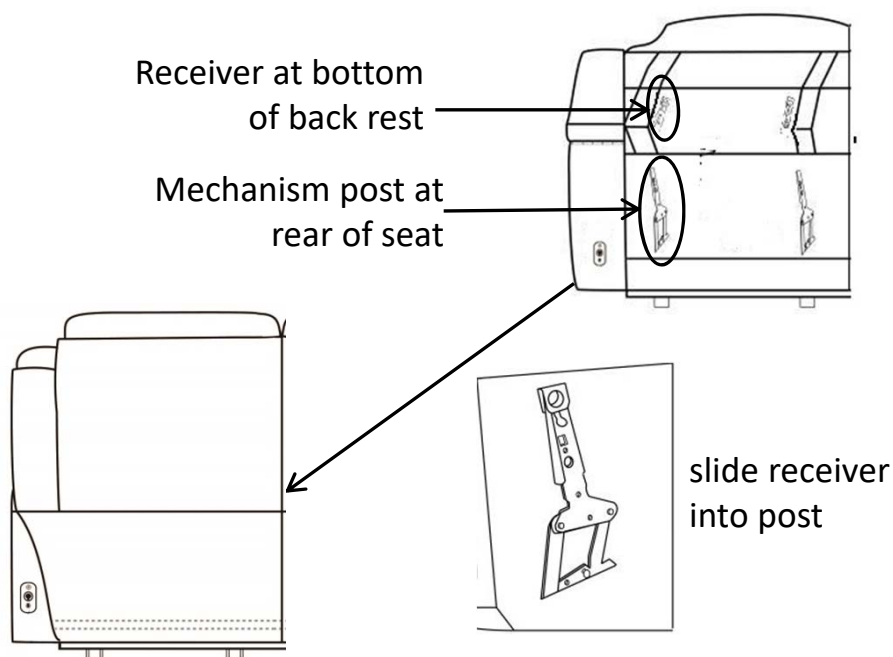
Step10: Take out the 4 plastic legs, then screw them into holes at the bottom of console.



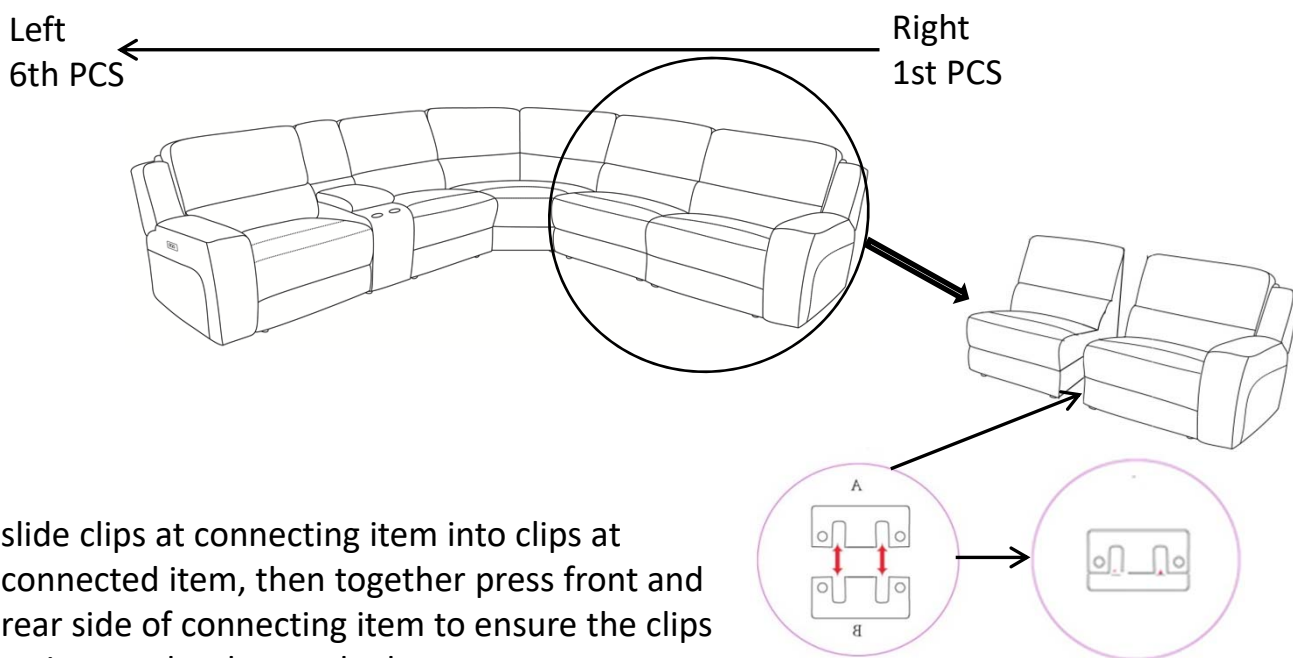
Step11: Locate power pack which is attached to the post at rear base of right hand facing electric seat.



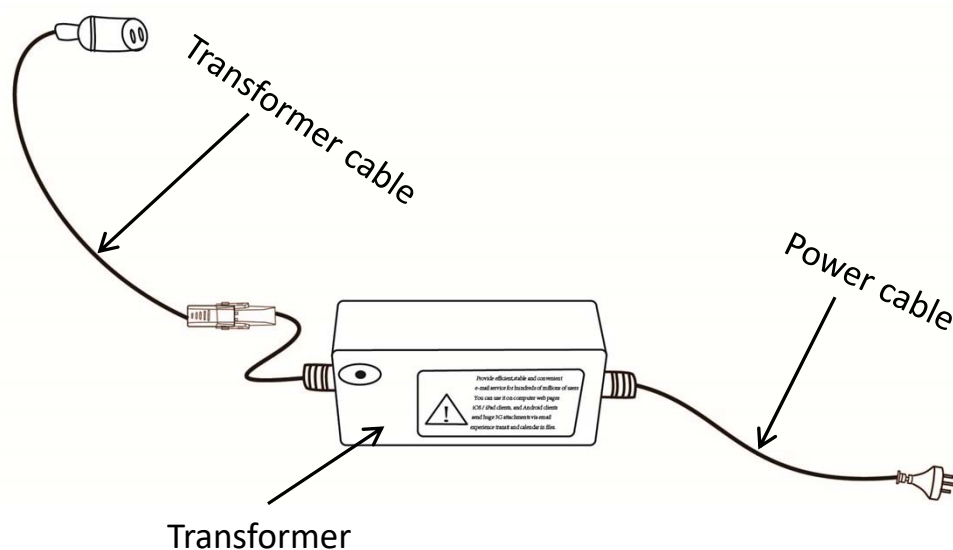
Step12: Slide back receivers into steel mechanism posts in the base of the right hand facing electric seat, and then press both sides of the back firmly into place to ensure the back automatically locks in place.



Step13: Connect 6 pieces of corner from right to left. Begin with RHF facing electric recliner, then connect pieces as required until final item of LHF facing electric recliner.

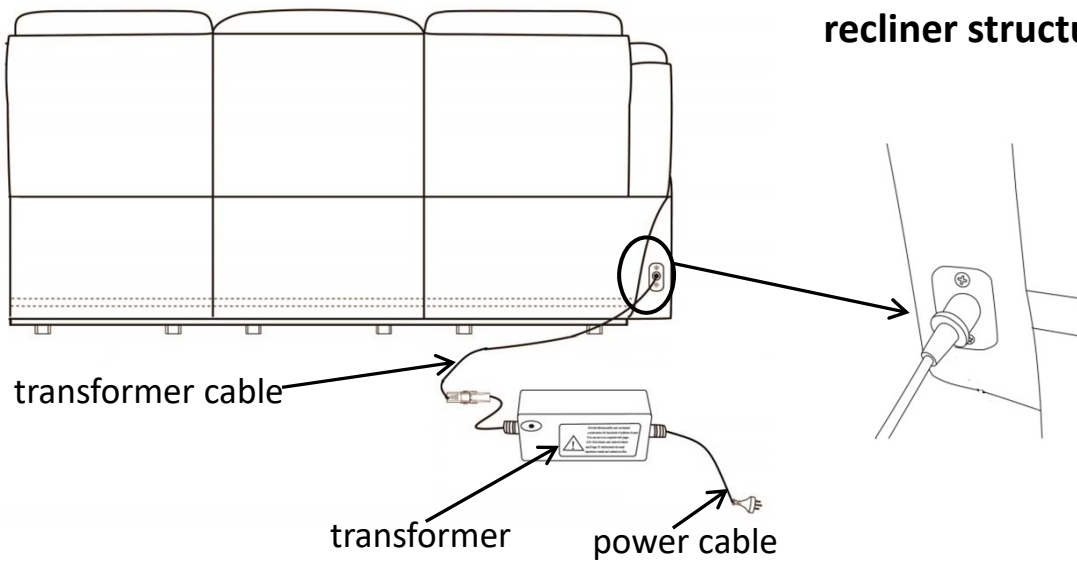


Step14: Take out transformer cable, transformer and power cable from power pack taken from the post at rear base of left and right hand facing electric seat, and then connect.

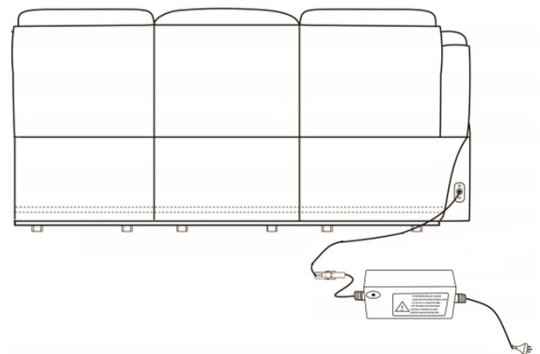
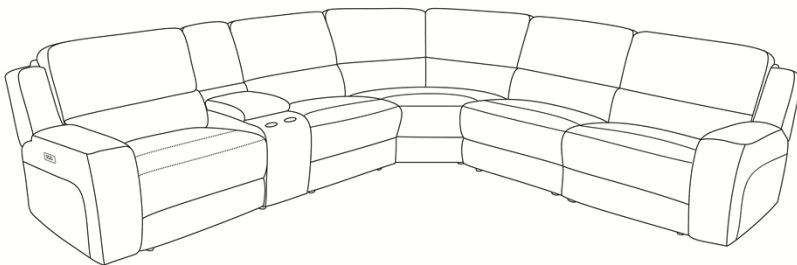


Step15: Plug transformer cables into sockets at back of the left and right hand facing electric seat in the same way.

Safety Note: Transformer and cables are not to be placed under or within the recliner structure.



ASSEMBLY IS COMPLETE



SAFETY NOTE:
PLEASE ENSURE THAT ALL ELECTRICAL CORDS AND CABLES ARE CLEAR OF THE FRAME AND MECHANISM. A FAILURE TO DO SO MAY SEVER YOUR POWER CORD RESULTING IN SERIOUS INJURY OR DEATH.

READ THESE INSTRUCTIONS THOROUGHLY BEFORE USE:

DANGER: TO REDUCE THE RISK OF ELECTRIC SHOCK:

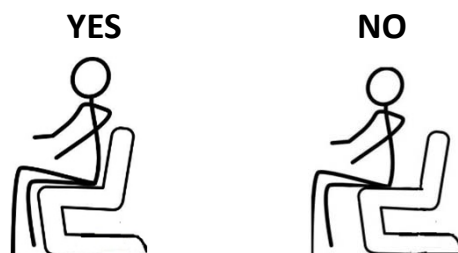
Always unplug from electric outlet before cleaning.

WARNING: RISK OF INJURY

Keep children away from extended footrest and any moving parts.

CAUTION:

- Do not allow children to play on this electric recliner or operate the powered mechanism. The leg rest folds when closing and could possibly cause injury to a child. Always leave the recliner in an upright and closed position when not in use. Keep hands and feet clear of mechanism. Only the occupant should operate it.
- Do ensure fully enter the normal sitting position before using of the recliner. Improper sitting, such as sitting in the front of recliner may result in damage to both mechanism and motor drive bar.



POWER CORD SAFETY

WARNING: Unplug and remove power cord from wall when not in use and store out of reach of children.

Take care when moving recliner that wall and transformer cords are not under the base or they may get damaged.

- NEVER OPERATE ELECTRIC RECLINER IF IT HAS A DAMAGED CORD OR PLUG.

WARNING: TO REDUCE RISK OF BURNS, FIRE, ELECTRIC SHOCK OR PERSONAL INJURY TO PERSONS:

- Use only for its intended purpose
- Never press or activate control switch if you are not seated in recliner
- Only the occupant should activate the control switch
- Never operate with more than one person occupying seat
- Never sit or stand on the footrest

CARE AND MAINTENANCE

FABRIC CARE

REGULAR CARE: PROTECT FROM DIRECT SUNLIGHT.
VACUUM REGULARLY USING LOW SUCTION.
ROTATE REVERSIBLE CUSHIONS REGULARLY.

CLEANING:

DO NOT REMOVE CUSHION COVERS FOR SEPARATE
CLEANING EVEN THOUGH THEY HAVE ZIPPERS.

DO NOT WASH

DO NOT DRY CLEAN

DO NOT SHAMPOO CLEAN

CLEAN WITH HOT-WATER EXTRACTION MACHINE.

(HOT) PROFESSIONAL CLEANING RECOMMENDED

DO NOT USE DISHWASHING OR LAUNDRY

DETERGENTS

USE ONLY UPHOLSTERY DETERGENTS

DO NOT WET FILLING

DRY IN SHADE AWAY FROM DIRECT HEAT AND

SUNLIGHT

ALLOW TO DRY THOROUGHLY BEFORE RE-USE

SPOT CLEANING:

DO NOT RUB

DO NOT SPOT CLEAN WITH ANY SOLVENT.

TREAT SPILLS AND STAINS AS SOON AS POSSIBLE.

GENTLY SCRAPE ANY SOIL OR MOP ANY LIQUID

FROM THE SURFACE OF THE FABRIC.

APPLY PROPRIETARY CLEANING AGENTS STRICTLY

ACCORDING TO INSTRUCTIONS TO REMOVE THE

RESIDUE OF THE SPILL.

DO NOT SATURATE THE FABRIC OR INTERIOR WITH

WATER OR OTHER CLEANING LIQUIDS.

WARNING: APPLY ONLY WATER-BASED SOIL RESIST

(FABRIC PROTECTION) TREATMENTS. DO NOT USE

AEROSOL PRODUCTS.